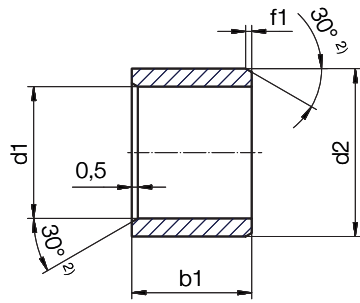


iglidur® R | 產品範圍

軸襯套 (型號 S)



²⁾ 厚度 < 1 mm : 導角 = 20°

倒角和 d1 的關係

d1 [mm]:	Ø 1-6	Ø 6-12	Ø 12-30	Ø > 30
f [mm]:	0.3	0.5	0.8	1.2

尺寸 [mm]

d1	d1-公差 ³⁾	d2	b1 h13	產品型號
2.0	+0.014 +0.054	3.6	7.0	RSM-0203-07
4.0	+0.020 +0.068	5.5	4.0	RSM-0405-04
5.0	+0.020 +0.068	7.0	5.0	RSM-0507-05
6.0	+0.020 +0.068	8.0	6.0	RSM-0608-06
8.0	+0.025 +0.083	10.0	10.0	RSM-0810-10
10.0	+0.025 +0.083	12.0	5.0	RSM-1012-05
10.0	+0.025 +0.083	12.0	10.0	RSM-1012-10
10.0	+0.025 +0.083	12.0	15.0	RSM-1012-15
12.0	+0.032 +0.102	14.0	12.0	RSM-1214-12
14.0	+0.032 +0.102	16.0	15.0	RSM-1416-15
15.0	+0.032 +0.102	17.0	15.0	RSM-1517-15
16.0	+0.032 +0.102	18.0	15.0	RSM-1618-15
18.0	+0.032 +0.102	20.0	25.0	RSM-1820-25
20.0	+0.040 +0.124	23.0	15.0	RSM-2023-15
20.0	+0.040 +0.124	23.0	20.0	RSM-2023-20
25.0	+0.040 +0.124	28.0	25.0	RSM-2528-25
28.0	+0.040 +0.124	32.0	12.0	RSM-2832-12
30.0	+0.040 +0.124	34.0	25.0	RSM-3034-25
30.0	+0.040 +0.124	34.0	30.0	RSM-3034-30
35.0	+0.050 +0.150	39.0	30.0	RSM-3539-30

³⁾ 按壓組裝後 測試方法 ▶ 頁碼 57

產品型號

類型 尺寸 [mm]

R S M-0203-07

iglidur® 材質	型號 S	公制	內徑 - Ø d1	外徑 - Ø d2	長度 b1
-------------	------	----	-----------	-----------	-------

尺寸符合 ISO 3547-1 標準
且提供特殊尺寸